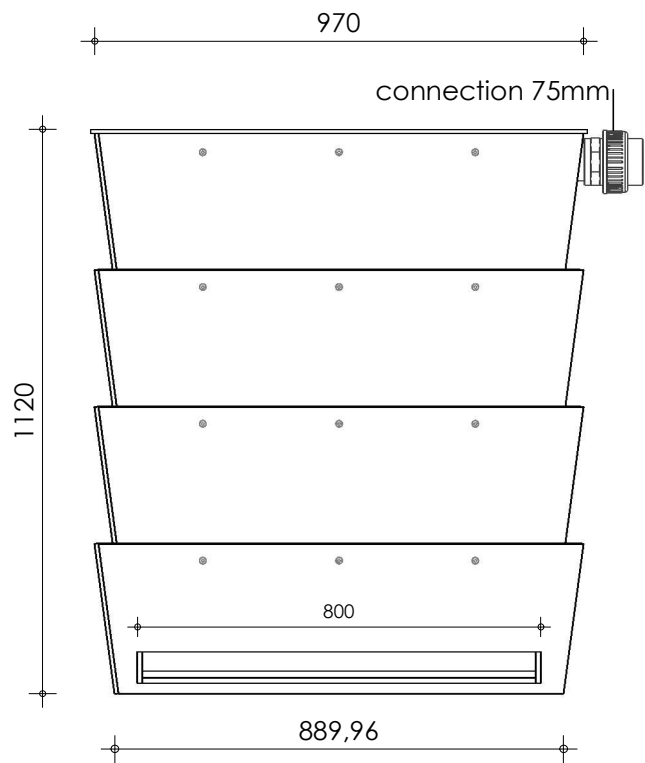
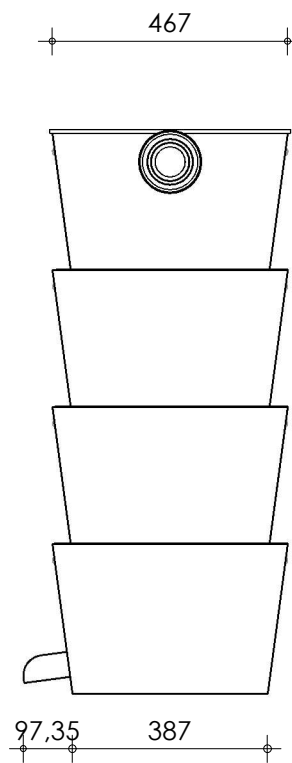


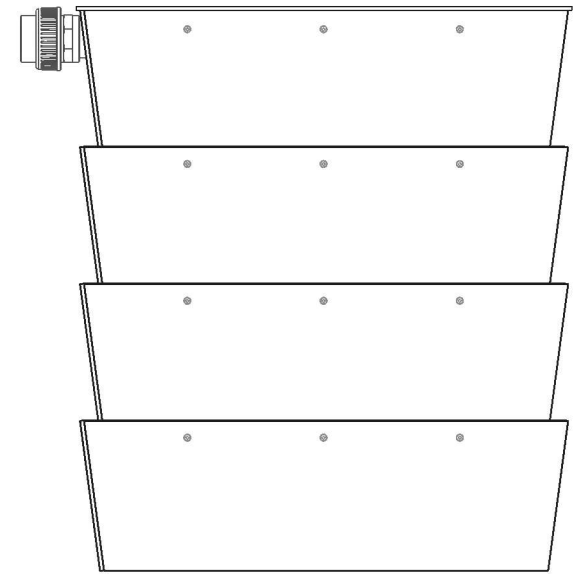
Left-side view



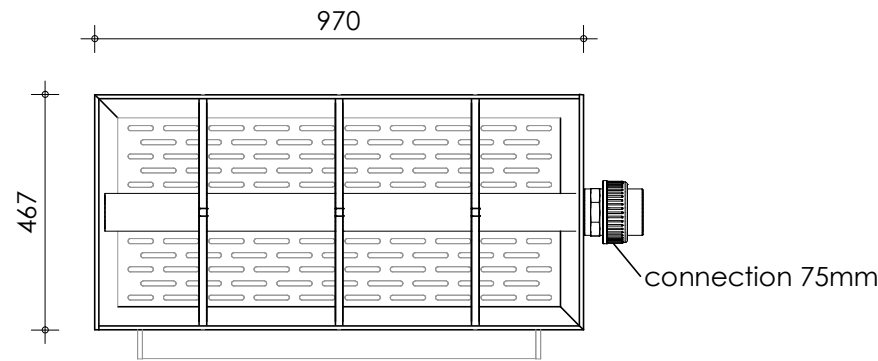
Front view



Right-side view



Rear view



Top view

Filter media

Bacteria House 770 rods - (5 boxes)

description:
TF100 - Trickle filter - waterfall

scale :
1 : 15

date/version :
v.3

